

ScuL-Sense™ Five-Wire Optic Sensor

Liquid Level Sensor for Tank Truck Overfill Prevention

ELECTRONIC
PRODUCT
LINE



MAXSAFETY®

S A F E T Y

Featuring Dynacheck® – Automatic and Continuous Self-Checking Circuitry



5-Wire Sensor

The ScuL-Sense™ design is API compliant and withstands temperature related stresses, dramatically improving reliability across a wide operating range.

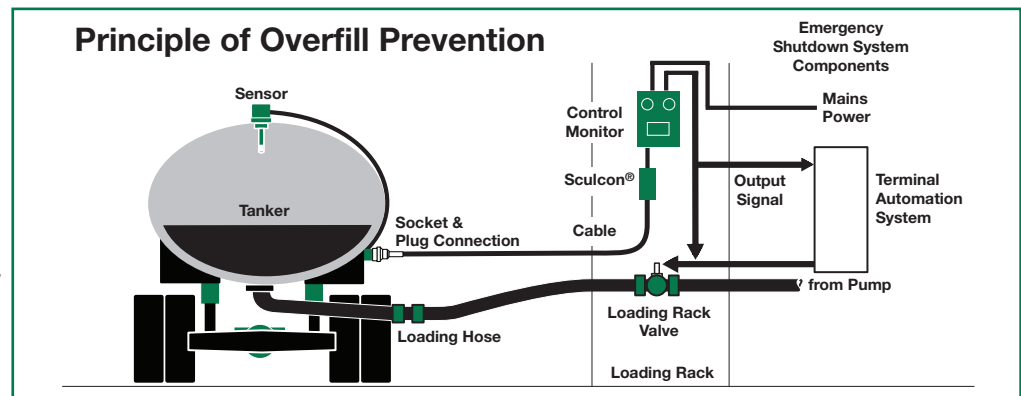
DESCRIPTION

Scully five-wire optic sensors are purpose-built for liquid petroleum product overfill prevention and point level detection.

They are designed to be used with the Scully Intellitrol® and ST-35 series loading rack control monitors. The sensors can also be used with the Scully IntelliCheck® II Monitor or Scully Load Anywhere® Truck Monitor. There is no waiting for the control monitors' permit light to go on because the sensor requires no warm up time. Overfill prevention applications include road tankers, rail cars and storage tanks.

The five-wire optic sensor is a critical component in Scully's unique and patented Dynacheck circuit design. When used in conjunction with Scully electronic monitoring equipment, our overfill protection sensor will provide consistent failsafe monitoring. By constantly checking a "closed loop" pulsing signal across the entire system, Scully ensures a safe and reliable loading operation. If rising fuel contacts the sensor, this signal is interrupted and the controlling pumps and valves are shutdown. No operator involvement is needed to end the loading operation.

Principle of Overfill Prevention



IEC 61508 SIL 3 Capable

$\lambda_{DU}=1.0 \text{ FIT}^*$ $\lambda_{SU}=116 \text{ FIT}^*$

*FIT = Failure In Time (1×10^{-9} failures per hour)

FEATURES AND BENEFITS

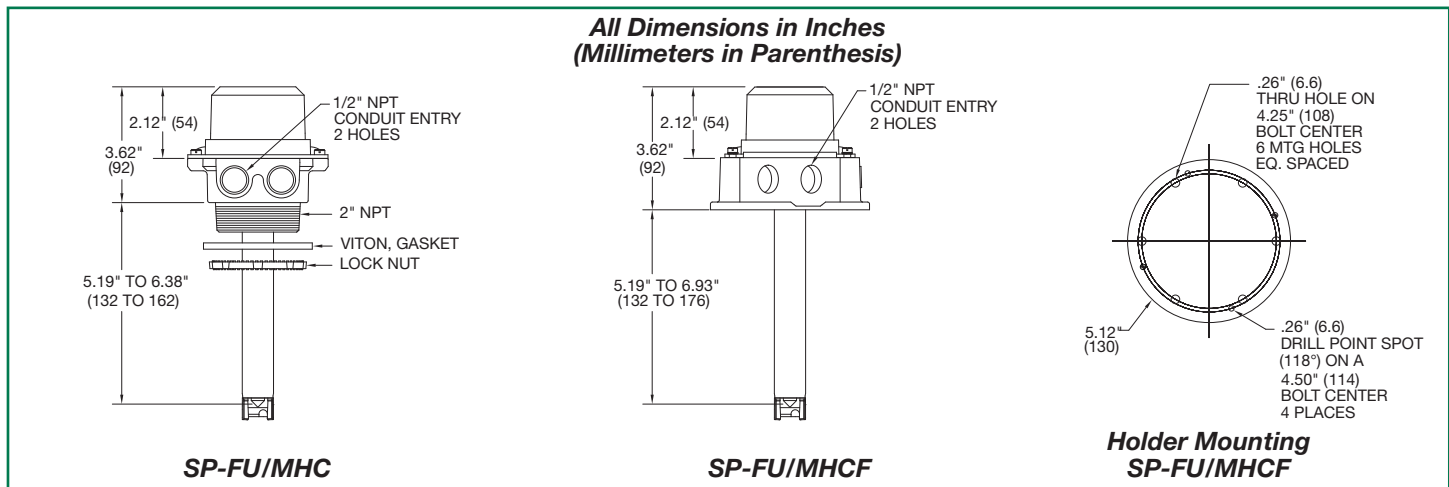
- Maximum safety with Dynacheck – Automatic and continuous self-checking circuitry when used with Scully electronic rack and vehicle onboard monitoring systems.
- Scully's field-proven electro-optics technology.
- Wide Temperature Range.
- Adjustable Sensing Level.
- Instant-On™ – Instant permissive signal. No warmup time required.
- Quick purging of liquid – "fast" repermit as product level drops below the sensing point.
- Fully compatible with all Scully optic controllers.
- FM approvals for Class I, Division 1, Groups C and D hazardous locations in the US and Canada.
- Meets requirements of API Recommended Practice RP-1004.

scully

MaxSafety®
SYSTEMS

Scully Signal Company / Tel. 617 692 8600 / Fax. 617 692 8620 / 800 2 SCULLY (272 8559)
70 Industrial Way, Wilmington, MA 01887-3479, USA / sales@scully.com / www.scully.com

60678 Rev E



TECHNICAL SPECIFICATIONS

Operating Temp. Range: -40°F to +140°F (-40°C to +60°C)
Petroleum Product Range: Gasoline blends & light fuel oils
Exposed Materials: Aluminum, zinc, borosilicate (Pyrex®) glass, epoxy, conductive nylon and Viton® seals
Level Repeatability: ±1/16" (±1 mm)
Electrical Leads: 18" (45cm) long, 22 AWG (0.33 mm²)

Cable Entry: Two holes, 1/2" NPT threads
Detection Level and Size: The detection level is adjustable, refer to sensor outline drawing above, shown for 7" shaft length
Approvals: The sensor is intrinsically safe for mounting in Class I, Division 1, Groups C & D Hazardous location in accordance with Scully Control Unit approval ratings.

SIL Capable



ORDERING INFORMATION

Model	Description	Shaft Length	Part Number
SP-FU/MHC(MC)	Five-Wire Optic Sensor, 2" NPT holder, 2 1/8" Medium Cap	7" (175mm)	09208L1
		12" (300mm)	09213L1
		15" (375mm)	09216L1
SP-FU/MHCF(MC)	Five-Wire Optic Sensor, flanged holder, 2 1/8" Medium Cap	7" (175mm)	09207L1
		12" (300mm)	09212L1
		15" (375mm)	09215L1

REPLACEMENT PARTS

Model	Description	Shaft Length	Part Number
SP-FU	Five-Wire Optic Sensor, (without holder)	7" (175mm)	09209L1
		12" (300mm)	09214L1
		15" (375mm)	09217L1
SP-MHC(MC)	2" NPT Threaded Holder Only		09065
SP-MHCF(MC)	Flanged Holder Only		08265

Copyright © 2014 Scully Signal Company. Dynacheck, Dynamic Self-Checking, Dynamic Self-Testing, Faylsafe, IntelliCheck, Intellitrol are registered trademarks of Scully Signal Company. All Rights Reserved. Specifications are subject to change without notice.

Viton® is a registered trademark of DuPont. Pyrex® is a registered trademark of Corning.

60678 Rev E
May 2014



MaxSafety®
SYSTEMS

Scully Signal Company
 70 Industrial Way,
 Wilmington, MA 01887-3479, USA
 Tel: 800 272 8559 / 617 692 8600
 email: sales@scully.com

Scully Systems Europe NV
 Eksterveldlaan 31a
 2820 Bonheiden / Belgium
 Tel: +32 (0) 15 56 00 70
 email: info@scully.be

Scully UK Ltd
 Meridian House, Unit 33,
 37 Road One Winsford Industrial Estate,
 Winsford Cheshire CW7 3QG / UK
 Tel.: +44 (0) 1606 553805
 email: sales@scullyuk.com

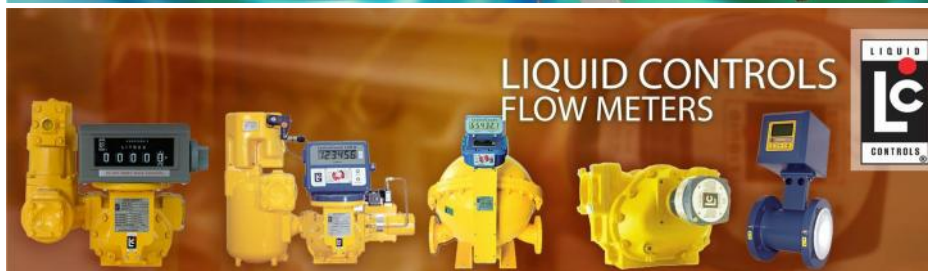


Your Distributor For This Product:



Ali Yaqoob Trading Co. L.L.C

Authorized Distributors of Petroleum, Marine & Industrial Equipment



P.O. Box 11682, Dubai, U.A.E.
Tel: +9714-3330105; +9714-3332091
Fax: +9714-3330104
E-mail: sales@aliyaqoob.com
www.aliyaqoob.com